

TECHNICAL PARAMETERS

max. transfer rate	115 kb/s
max. line length	1 700 m / 62.5um
supported signals	RxD, TxD
selectable RS232 signal connecting	DCE/DTE
transfer mode	asynchron, full duplex
connector RS232	RJ45
connector fiber optic	ST (SMA, SC, FC)
overvoltage (soft) protection - supply	600W/1ms
optical indication (LED) – DTE, DCE	red PWR yellow RxD green TxD
power supply	100 -240V AC
power consumption	max 15 W
dimension (l x h x b)	480 x 44 x 270 mm

CONDITIONS OF WARRANTY

ComErgon Ltd. provides full warranty of 12 month for serial interface module MULTI starting on the day of purchase.

The warranty is except for the cases in which the functioning of the module has been affected by faulty manipulation, natural catastrophes or other external factors.



MULTI serie

MULTI 12

ver. 7.0

interface converter

RS 232 ↔ Fiber Optic

supports RxD, TxD

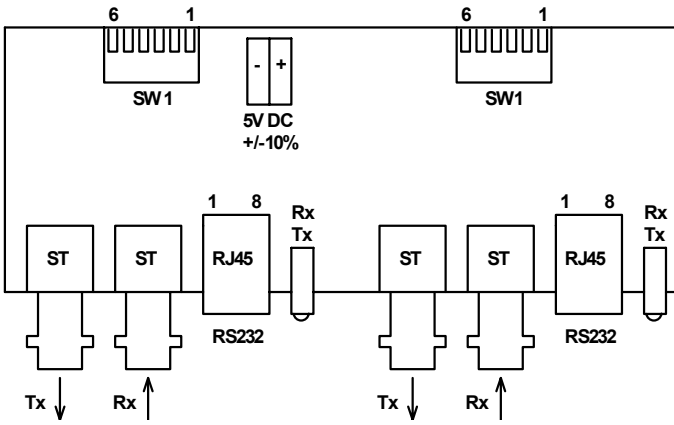


tel.: +421-2- 4445 8783
tel./ fax.: +421-2- 4425 9006

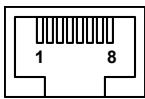
Pionierska 15, 831 02 Bratislava
Slovak Republic

e-mail: service@comergon.sk
http: www.comergon.sk

SWITCH AND CONNECTOR LAYOUT



RS232 – connector RJ45



signal \ mode	DTE	DCE
3 - RxD	IN	OUT
6 - TxD	OUT	IN
4,5 - GND	-	-

SETTING OF OPERATING MODES - SW1

SW1	MODE	CONNECTOR - DB9M
1,2 - ON, 3,4 - OFF	DCE	2-TxD, 3-RxD, 5-GND
1,2 - OFF, 3,4 - ON	DTE	3-TxD, 2-RxD, 5-GND

SW1	Fiber Optic - LOGIC	FUNCTION
5 - OFF	direct for receiver	HI – light ON, LOW – light OFF
5 - ON	inverse for receiver	LOW – light ON, HI – light OFF
6 - OFF	direct for transmitter	light - HI, do not light - LOW
6 - ON	inverse for transmitter	light - LOW, do not light – HI

STANDARD SETTING

Signal connecting
 Fiber Optic receiver logic
 Fiber Optic transmitter logic

DTE
inverse
inverse